


C-Rex™ Valve




*Engineering
GREAT Solutions*

**The Original Double Offset
Segmented Ball Valve**

The Double Offset C-Rex™ Valve

Our Ball Valves are designed as a solution for critical service applications, combining the advantages of main critical service valve designs while eliminating their weakness or design limitations. This makes them ideal to meet the most stringent requirements in critical applications such as oil and gas, chemical, petrochemical, mining, liquified natural gas (LNG).

Key features

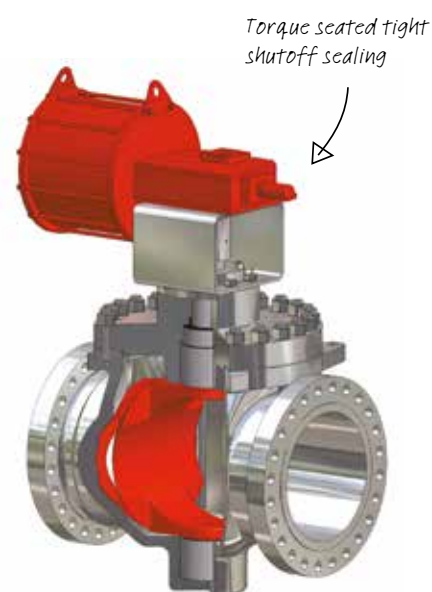
- > Engineered for excellence in the most demanding services
 - High cycle service
 - Emergency shut down
 - High solid and slurry media content
 - High temperature
 - Cryogenic
- > Fast closing/trip valve
 - Corrosive media
 - Control
- > Top entry for in-line maintenance

Benefits

- > Top entry - Provides easy access to valve internals allowing for easy in line maintenance
- > Double eccentric - Provides minimal rubbing between seating elements during travel, reducing torque, friction and wear and extending service life
- > Quarter turn - Allows for simple and effective automation using common quarter turn gears, motors, pneumatic or hydraulic actuators
- > Segmented ball - Allows for isolation or control from one single valve design with high Cv characteristics
- > Full hard face coating - Tungsten or chromium carbide coating on both the inner and outer surfaces of the ball provide the most durable hard surface available, perfect for severe service applications
- > Field replaceable seat - Stellite or other hard face coating is both durable and field maintainable
- > Torque seated - Provides bi-directional tight shutoff
- > Simple design - Fewer parts mean lower operational costs and easier less frequent maintenance
- > Cavity free - Body over pressurization is completely impossible

Critical applications

- > Mol Sieves
- > Refinery
- > Slurry Service
- > Coal Gas
- > Pulp & Paper
- > Oil Sands
- > Mining
- > Hydrocarbons
- > Liquified Natural Gas
- > Oil & Gas



Product specification & dimensions

Quality
ISO 9001

Design
ASME B16.34
API 6D & 6A

Face to face
ANSI B16.10

Testing
API 598
ISO 5808
FCI 70-2 V and VI

Firetest
ISO 10497
API 607

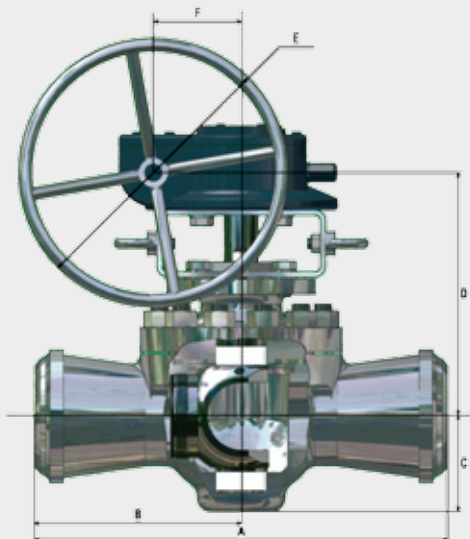
Fugitive emissions
ISO 15848

Size
1" to 40"

Class
ASME 150 - 2500
API 2000 - 20000

Ends
Double flanged
Butt-weld ends
Clamped ends
Compact flanged
Special hub ends
Combinations

Temperature range
196°C to +650°C
-321°F to +1200°F



Class 150

DN	A	B	C	D	E	F
2"	178	89	76	263	500	-
3"	283	141.5	95	276	300	69
4"	229	114.5	114	349	300	69
6"	394	197	180	427	500	84
8"	457	228.5	212	518	500	211
10"	533	266.5	260	570	400	137
12"	610	305	300	566	500	138

Class 300

DN	A	B	C	D	E	F
2"	216	108	82.5	214	500	-
3"	283	141.5	105	296	400	71
4"	305	152.5	127	378	500	97
6"	403	201.5	183	477	600	138
8"	502	251	212	561	600	138
10"	568	284	260	660	400	138
12"	648	324	310	646	600	180

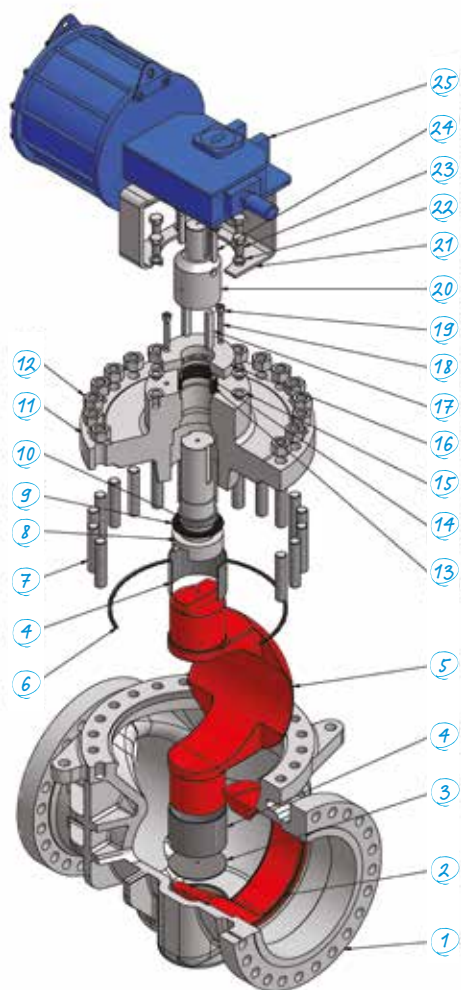
Class 600

DN	A	B	C	D	E	F
2"	294	147	86	267	750	-
3"	356	178	110	313	400	71
4"	432	216	137	359	600	105
6"	559	279.5	195	463	500	130
8"	660	330	230	619	600	140
10"	787	393.5	267	724	600	134
12"	838	419	320	771	600	180

Class 900

DN	A	B	C	D	E	F
2"	368	184	108	344	300	71
3"	383	191.5	122	342	500	86
4"	457	228.5	147	471	600	211
6"	610	305	195	488	500	130
8"	740	370	250	580	600	180
10"	841	420.5	300	656	600	253
12"	968	484	342	709	600	253

Bill of material



IT	QTY	DESCRIPTION
1	1	BODY
2	1	SEAT
3	1	BALL SUPPORT
4	2	TRUNION BEARING
5	1	C-BALL
6	1	GASKET
7	24	STUD
8	1	STEM
9	1	STEM BEARING
10	1	STEM BUSHING
11	1	BONNET
12	24	NUT
13	3	PACKING RING
14	1	PACKING FOLLOWER
15	8	WASHER
16	1	PACKING FLANGE
17	2	KEY
18	3	STUD
19	3	NUT
20	1	ADAPTOR
21	1	BRACKET
22	8	WASHER
23	8	SCREW
24	2	KEY
25	1	ACTUATOR

IMI Truflo Rona Belgium

Truflo Rona S.a.
3eme Avenue
P.I. des Hauts Sarts
4040
Herstal
Belgium

Tel: +32 (0) 4 240 68 86
Fax: +32 (0) 4 248 02 46

imitrufflorona.sales@imi-critical.com

IMI Truflo Rona Italy

Truflo Rona S.r.l.
Via Grilli 2/A San Nicolò di Rottofreno
29010
Piacenza
Italy

Tel: +39 0523 766111
Fax: +39 0523 766112

IMI Critical Engineering

Lakeside, Solihull Parkway
Birmingham Business Park
Birmingham B37 7XZ
United Kingdom

Tel: +44 (0)121 717 3700
Fax: +44 (0)121 717 3701

www.imi-critical.com